

## rice bell

Rice Bell is a bicycle bell made out of wasted rice cooker bowl, which is a common waste from asian household appliances. The aluminium dome-shape creates a good resonant sound. They come in different colors, patterns and coatings, that give each bell a unique pitch. Like every bicycle, every rice bell carries a characteristic like no other.



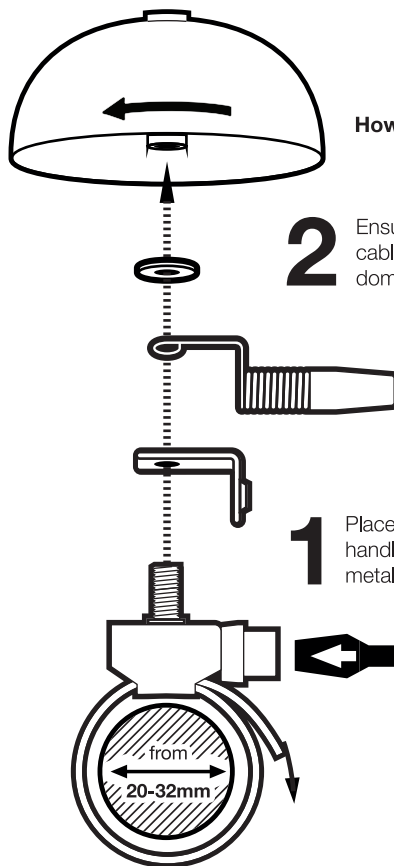
### Aluminium

is upcycled from rice cooker bowls that are collected from Tuen Mun Eco-park, household appliances recycle facility.



### Production

is done by a local metal craftsman in Hong Kong.



### How to assemble the rice bell?

**2** Ensure the dome is not touching any cables or brake levers. Turn the dome to secure, don't over tighten.

**1** Place the metal band around the handlebar. To adjust the width of the metal belt use a flat head screw driver.

### Enjoy & Ride Safe!

For more, please visit [www.kevin-cheung.com](http://www.kevin-cheung.com)  
As this product is made from reclaimed materials, minor imperfections and differences in colour may appear. However, the performance of the product will not be affected.

Upcycled in Hong Kong, Designed by KEVINCHEUNG 張琨哲